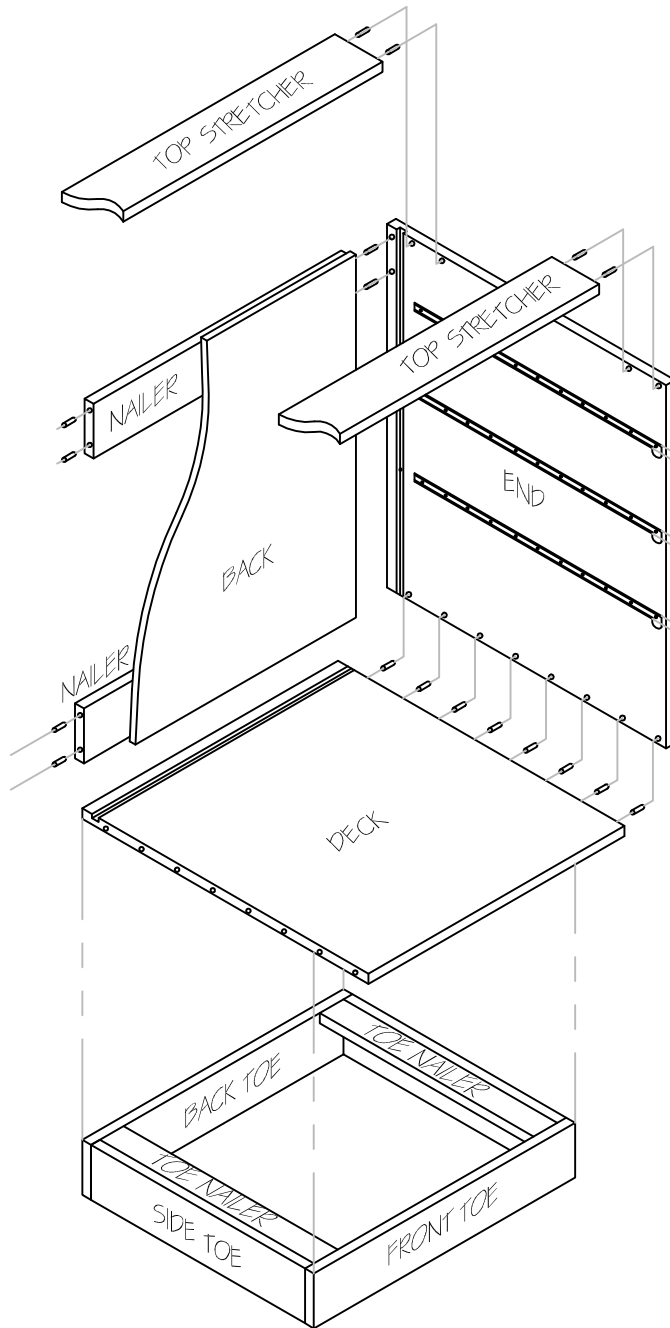
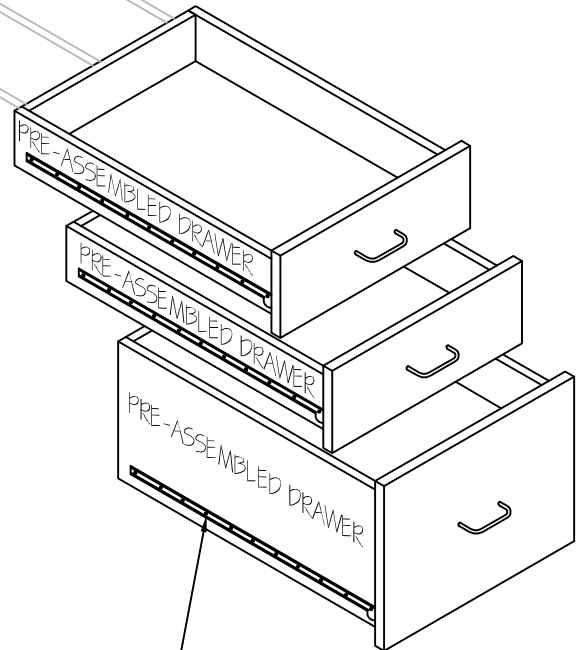


## DRAWER ASSEMBLE



### GENERAL NOTES:

1. BUILD DRAWERS AND TOE KICK FIRST.
2. PRE-INSTALL HARDWARE, DRAWER SLIDES, PRIOR TO FINAL ASSEMBLY. INSTALL PULLS TURNED INSIDE FOR SHIPPING.



### NOTES:

ALL FILE DRAWERS RECEIVE FULL EXTENSION SLIDES. VIEW JOB SPECIFICATION SHEET FOR SLIDE TYPE.

# STANDARD DRAWER BASE